

Fundermax Florida Building Code and High Velocity Hurricane Zone (HVHZ) Testing

Technical Document

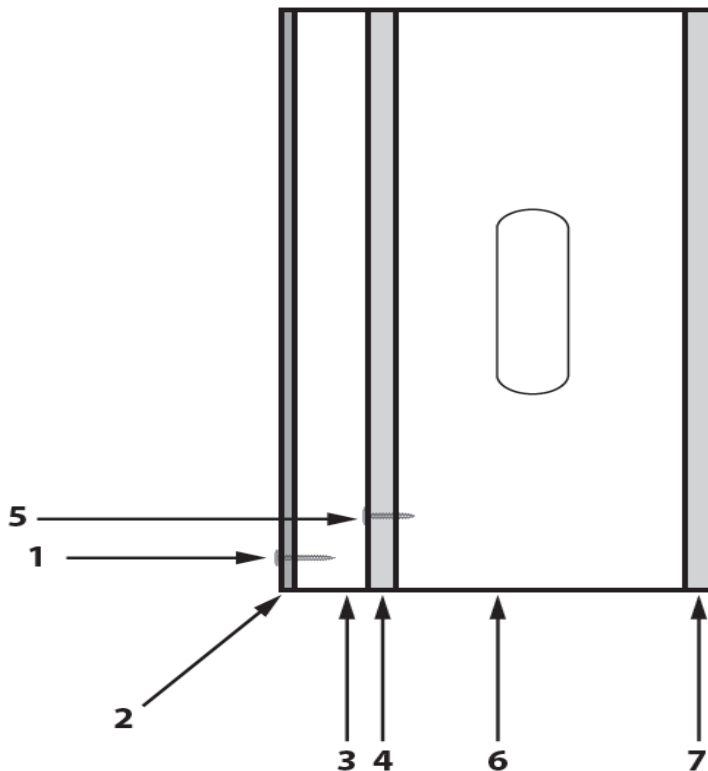
FunderMax Florida Building Code Approval # is FL19705

This approval can be viewed at ;

<https://floridabuilding.org> > “Product Approval”>”Find a Product”> and search on “FL19705” or use the drop down menu and select “Fundermax North America”

The Florida Building Code Approval is for design pressures of +83.3 and -50.0 PSF

In addition to the listing above, FunderMax has been tested per Florida Building Code, Test Protocols for High Velocity Hurricane. Zones, Protocols TAS 202-94* and TAS 203-94**. The result met the performance requirements for a -90.00 PSF Design Pressure rating.



1. Panel attachment screw #12 S.D. 16" oc max horizontal / 24" oc max vertical
2. 10mm thick face fastened FunderMax panel
3. Vertical extrusion .125" thick 6063-T5 aluminum H/J profile @ 16" oc max
4. 5/8" min. plywood sheathing (by others)
5. #12 self drill screw @24" oc max (extrusion to stud anchor)
6. 6" 16 gauge (min) steel studs @ 16" oc max (by others)
7. interior sheathing (by others)

***TAS 202-94** Criteria for Testing Impact and Non-Impact Resistant Building Envelope Components Using Uniform Static Air Pressure Loading
As Required by Florida Building Code Section 1620

**** TAS 203-94** Criteria for Testing Products Subject to Cyclic Wind Pressure Loading As Required by Florida Building Code Section 1625